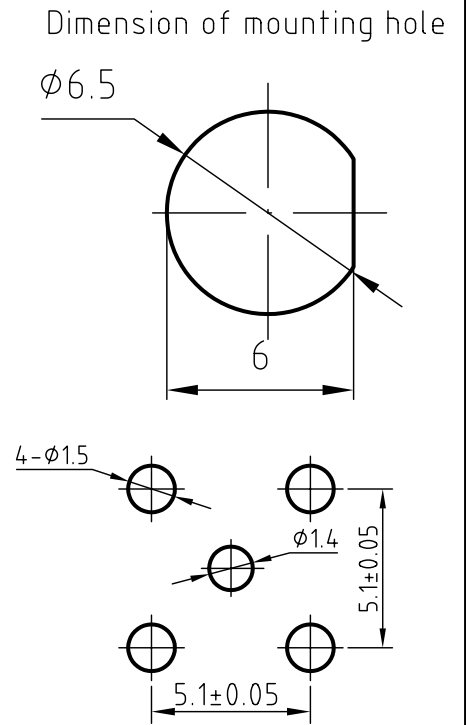
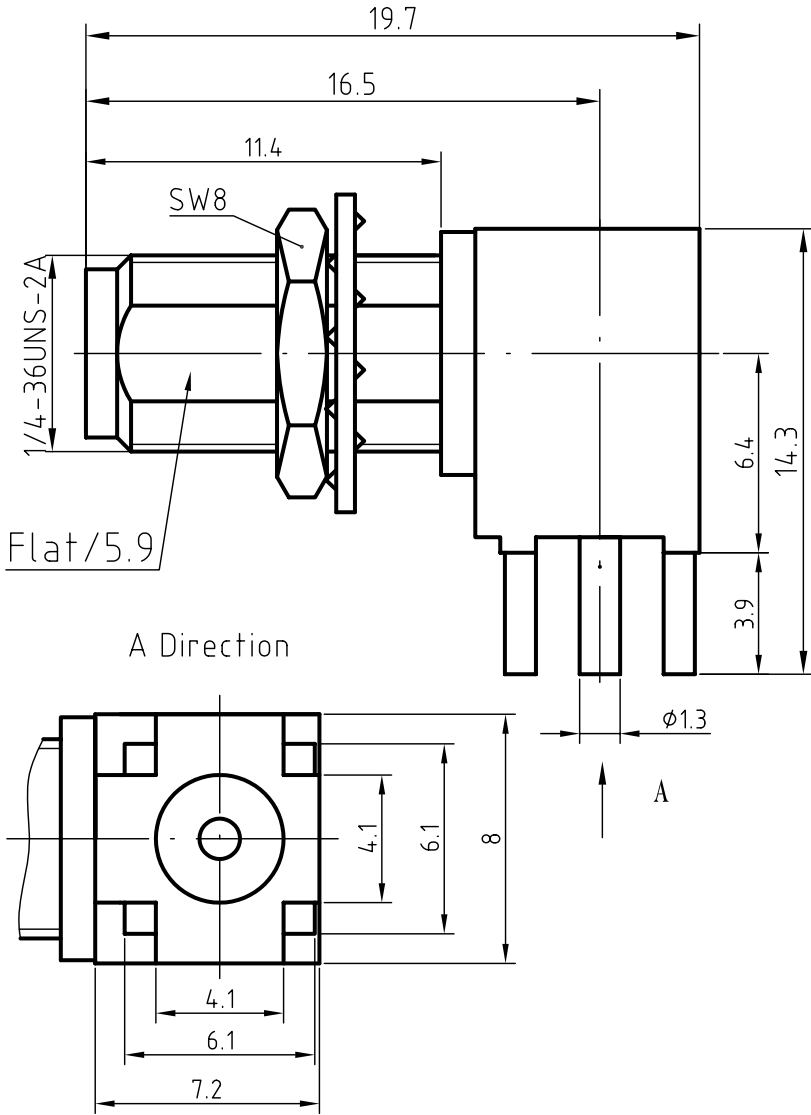


1	2	3	4
RevNo	Revision note	Date	Signature



**Material and Plating:**

Body&Nut:Brass gold plated

Female center contact:Beryllium copper ,gold plated;

Insulator:PTFE.

**Electrical characteristics:**

Characteristic impedance : 50Ω

Working voltage : 335V

Frequency range : 0-18G

Dielectric withstanding voltage : 1000V

Contact resistance : Center contact : ≤ 3mΩ

Outer contact : ≤ 2mΩ

Insulation resistance : ≥ 5000MΩ

VSWR: ≤ 1.3(0-3GHz)

Itemref	Quantity	Title/Name, designation, material, dimension etc			Article No./Reference	
Designed by	Checked by	Approved by - date	Filename	Date	Scale	
				2005.09.06	4:1	
				Outline D	Edition	Sheet
					2	1/1